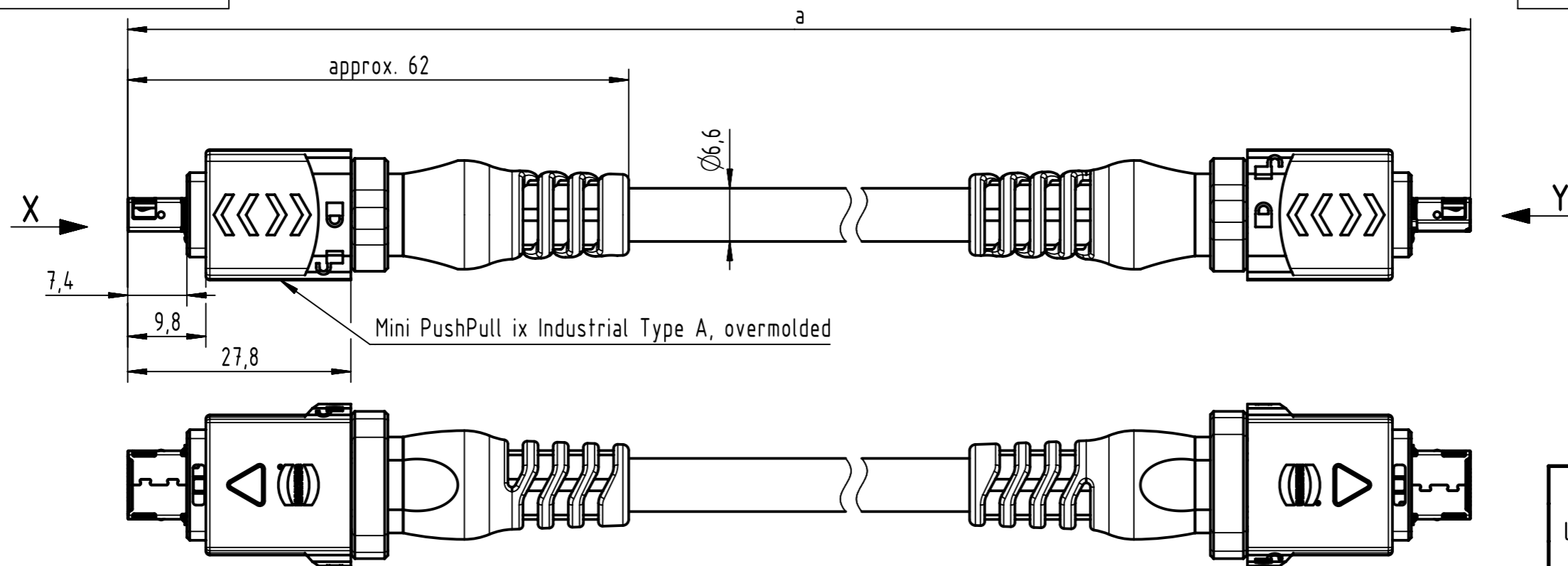
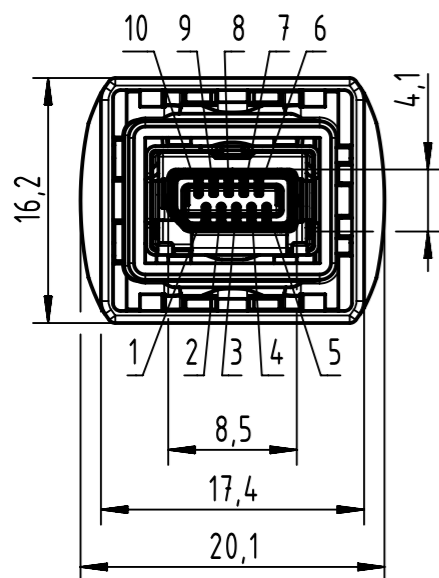


Connector Location A

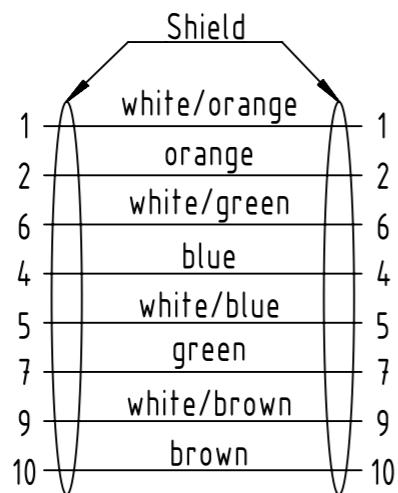
Connector Location B



X male

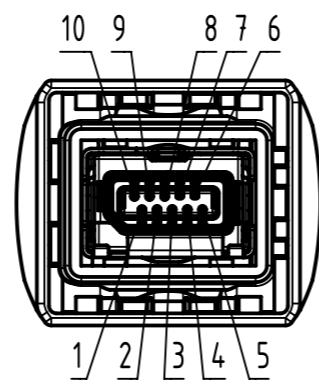


Loading Plan acc. to TIA/EIA 568B

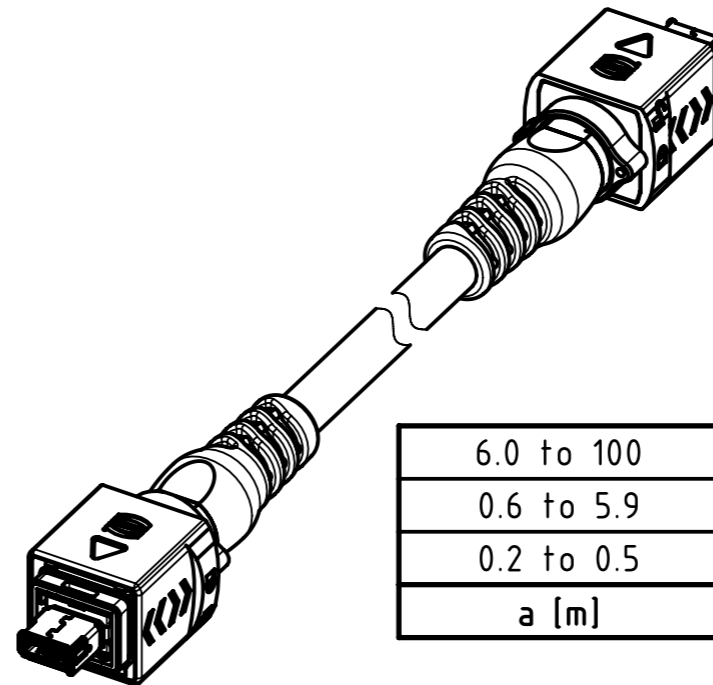


Contacts 3 and 8 are not connected on both sides

Y male



- Protection level: IP65/67
- Temperature range: -20°C ... +70°C



6.0 to 100	±1%
0.6 to 5.9	+0.04
0.2 to 0.5	+0.02
a [m]	Tolerance

length in "1m" step	100	XXX=000
	99	XXX=990
	12	XXX=120
	11	XXX=110
length in "0.1m" step	10	XXX=100
	9.9	XXX=099
	9.8	XXX=098
	0.5	XXX=005
	0.4	XXX=004
	0.3	XXX=003
0.2	XXX=002	
Step	a [m]	XXX

HARTING outd. Cat.6A 4x2xAWG 26/7 PVC black	33483434806XXX
Type of cable	Part no.

NOTE:

For lengths < 1.0m:

- relative positioning of the connectors to each other will be as presented in the drawing, however with an admissible angular deviation around cable axis of ± 30°

For lengths ≥ 1.0m:

-relative positioning of the connectors to each other not obligatory

* Cat.6A 10 Gbit/s Ethernet transmission possible for lengths up to 45m

All Dimensions in mm		Tech. Character.		Free size tol.		According to production drawing	
All rights reserved		Created by 405181 Hadar	Inspected by 402676 Gross	Standardisation COSTEA Costea	Date 2021-11-12	State Final Release	
Department HCS - RO		Title MPP ix Type A Cat.6A PVC out				Doc-Key / ECM-Nr. 100879767/UGD/000/C 500000205993	
HARTING Customised Solutions D-32339 Espelkamp		Type TB	Number 33483434806XXX		Rev. C	Page 1/1	